

DRAWING NO.

C2130

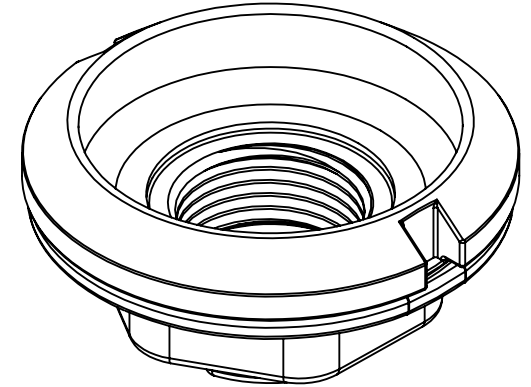
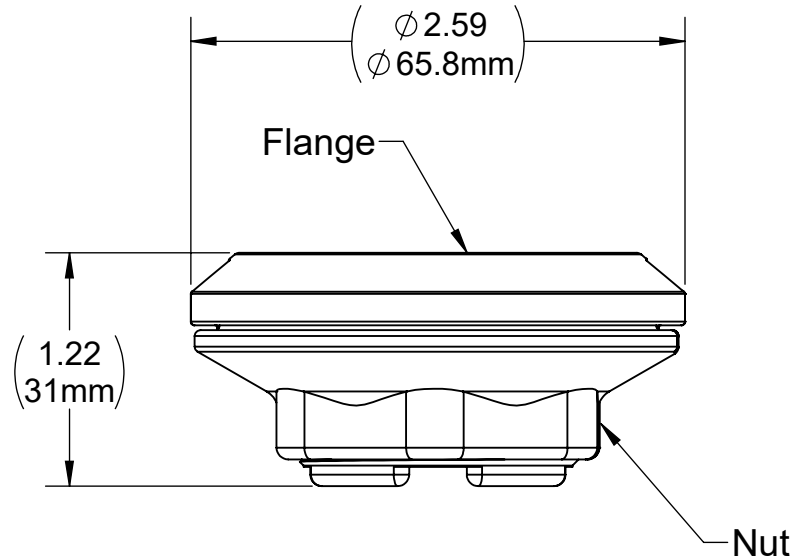
REV

B

Customer Drawing

REVISION HISTORY

REV	DESCRIPTION (ECO)	DATE	APPROVED
A	NEW DRAWING ECO 6847	2/9/16	L.F.
B	UPDATE NOTES, AND BORDER ECO 10395	03/16/20	AK



NOTES:

1. CRITICAL DIMENSIONS ARE CIRCLED, AND SUBJECT TO INSPECTION.
DIMENSIONS IN PARENTHESES ARE FOR REFERENCE ONLY.
ALL DIMENSIONS ARE IN INCHES, WITH NOMINAL DIMENSIONS IN METRIC BELOW.

MOLDED PARTS:

GATES, PARTING LINES, AND FLASH PER QUALITY CRITERIA

PROPRIETARY AND CONFIDENTIAL

THE INFORMATION CONTAINED IN THIS DRAWING IS SOLE PROPERTY OF HALKEY-ROBERTS CORPORATION ST. PETERSBURG, FL. ANY REPRODUCTION IN PART OR AS A WHOLE WITHOUT THE WRITTEN PERMISSION OF HALKEY-ROBERTS CORPORATION IS PROHIBITED.

DRAWN BY

DMC

DATE

APPROVED BY

DATE

MATERIAL

GLASS FILLED NYLON

FINISH

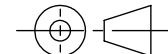
UNLESS OTHERWISE SPECIFIED:

DIMENSIONS ARE IN INCHES

TOLERANCES:

ANGULAR: $\pm 1^\circ$ TWO PLACE DECIMAL $\pm .01$ THREE PLACE DECIMAL $\pm .005$

THIRD ANGLE PROJECTION

HR[®] Halkey-Roberts[®]TITLE
FLANGE, ASSY.

SIZE

A

DRAWING NO.

C2130

REV

B

SCALE

1:1

DO NOT SCALE DRAWING

SHEET

1 OF 1